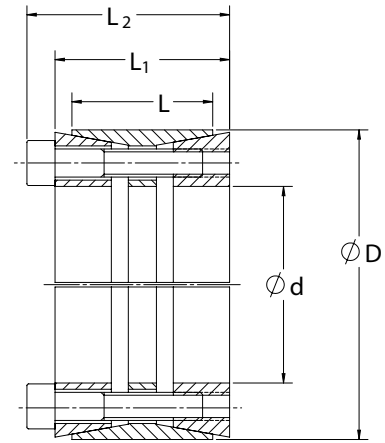




SERIES C415 LOCKING ASSEMBLY

- Medium duty
- Wider design transmits higher torque and bending moments
- Excellent concentricity

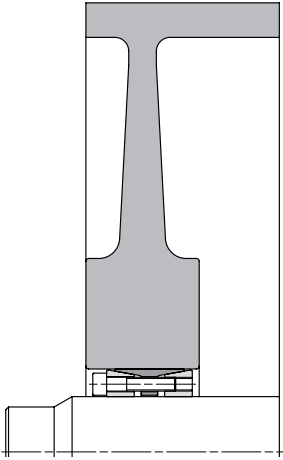


Inch

CLIMAX Part No.	Shaft Size (in)	d	D	L	L ₁	L ₂	M _t (ft-lbs)	F _{ax} (lbs.F)	P _s (psi)	P _h (psi)	D _n *	Locking Screws		
												Qty.	Size	M _a (ft-lbs)
C415E-275	2 3/4	2.750	4.331	1.969	2.441	2.835	5,363	46,804	28,668	18,204	6.651	8	M10 x 50	61
C415E-293	2 15/16	2.938	4.528	1.969	2.441	2.835	5,729	46,804	26,838	17,413	6.810	8	M10 x 50	61
C415E-343	3 7/16	3.438	5.118	1.969	2.441	2.835	9,218	64,356	31,535	21,180	8.531	11	M10 x 50	61
C415E-350	3 1/2	3.500	5.118	1.969	2.441	2.835	9,385	64,356	30,971	21,180	8.531	11	M10 x 50	61
C415E-393	3 15/16	3.938	5.709	2.362	2.835	3.307	14,335	87,374	31,148	21,484	9.599	10	M12 x 60	107
C415E-443	4 7/16	4.438	6.496	2.362	2.835	3.307	17,771	96,112	30,402	20,768	10.702	11	M12 x 60	107
C415E-450	4 1/2	4.500	6.496	2.362	2.835	3.307	18,021	96,112	29,980	20,768	10.702	11	M12 x 60	107
C415E-493	4 15/16	4.938	7.087	2.559	3.189	3.661	25,166	122,324	30,911	21,537	11.934	14	M12 x 70	107
C415E-500	5	5.000	7.087	2.559	3.189	3.661	25,484	122,324	30,525	21,537	11.934	14	M12 x 70	107
C415E-543	5 7/16	5.438	7.480	2.559	3.228	3.701	29,694	131,062	30,074	21,861	12.715	15	M12 x 70	107
C415E-593	5 15/16	5.938	7.874	2.559	3.228	3.701	32,424	131,062	27,541	20,768	12.972	15	M12 x 70	107
C415E-600	6	6.000	8.268	2.559	3.228	3.701	34,950	139,799	29,071	21,097	13.748	16	M12 x 70	107
C415E-643	6 7/16	6.438	8.858	3.071	3.661	4.213	47,284	176,282	28,828	20,950	14.669	15	M14 x 80	170
C415E-693	6 15/16	6.938	9.252	3.071	3.661	4.213	50,956	176,282	26,750	20,058	14.943	15	M14 x 80	170
C415E-793	7 15/16	7.938	10.236	3.465	4.134	4.685	76,816	232,264	25,941	20,116	16.558	18	M14 x 80	170
C415E-800	8	8.000	10.236	3.465	4.134	4.685	77,421	232,264	25,738	20,116	16.558	18	M14 x 80	170

All dimensions are shown in inches unless stated otherwise. All dimensions and capacities are subject to change without notice.

* Minimum hub outside diameter based on a Pressure Reduction Factor of C=1.0 and hub material with tensile yield point ≥ 45,000 psi. For details refer to page 8.



SERIES C415 LOCKING ASSEMBLY

CLIMAX Series C415 has become the industry standard to mount conveyor drum pulleys.



Metric

CLIMAX Part No.	Shaft Size (mm)	d	D	L	L ₁	L ₂	M _t (ft-lbs)	F _{ax} (lbs.F)	P _s (psi)	P _h (psi)	D _n *	Locking Screws		
												Qty.	Size	M _a (ft-lbs)
C415M-70X110	70	2.756	4.331	1.969	2.441	2.835	5,374	46,804	28,606	18,204	6.651	8	M10 x 50	61
C415M-80X120	80	3.150	4.724	1.969	2.441	2.835	7,678	58,505	31,288	20,859	7.803	10	M10 x 50	61
C415M-90X130	90	3.543	5.118	1.969	2.441	2.835	9,501	64,356	30,593	21,180	8.531	11	M10 x 50	61
C415M-100X145	100	3.937	5.709	2.362	2.835	3.307	14,333	87,374	31,152	21,484	9.599	10	M12 x 60	107
C415M-110X155	110	4.331	6.102	2.362	2.835	3.307	15,766	87,374	28,320	20,098	9.866	10	M12 x 60	107
C415M-120X165	120	4.724	6.496	2.362	2.835	3.307	18,920	96,112	28,556	20,768	10.702	11	M12 x 60	107
C415M-130X180	130	5.118	7.087	2.559	3.189	3.661	26,086	122,324	29,820	21,537	11.934	14	M12 x 70	107
C415M-140X190	140	5.512	7.480	2.559	3.228	3.701	30,099	131,062	29,668	21,861	12.715	15	M12 x 70	107
C415M-150X200	150	5.906	7.874	2.559	3.228	3.701	32,249	131,062	27,690	20,768	12.972	15	M12 x 70	107
C415M-160X210	160	6.299	8.268	2.559	3.228	3.701	36,693	139,799	27,690	21,097	13.748	16	M12 x 70	107
C415M-170X225	170	6.693	8.858	3.071	3.661	4.213	49,160	176,282	27,728	20,950	14.669	15	M14 x 80	170
C415M-180X235	180	7.087	9.252	3.071	3.661	4.213	52,052	176,282	26,187	20,058	14.943	15	M14 x 80	170
C415M-190X250	190	7.480	9.843	3.465	4.134	4.685	58,606	188,034	22,285	16,936	14.622	16	M14 x 80	170
C415M-200X260	200	7.874	10.236	3.465	4.134	4.685	76,202	232,264	26,150	20,116	16.558	18	M14 x 80	170
C415M-220X285	220	8.661	11.220	3.780	4.370	5.000	87,821	243,345	23,085	17,820	17.058	15	M16 x 90	262
C415M-240X305	240	9.449	12.008	3.780	4.370	5.000	127,740	324,460	28,215	22,202	20.616	20	M16 x 90	262
C415M-260X325	260	10.236	12.795	3.780	4.370	5.000	145,305	340,683	27,346	21,877	21.760	21	M16 x 90	262
C415M-280X355	280	11.024	13.976	3.780	4.331	5.118	173,380	377,473	31,177	24,590	25.808	15	M20 x 90	509
C415M-300X375	300	11.811	14.764	3.780	4.370	5.157	185,764	377,473	29,098	23,279	26.176	15	M20 x 90	509
C415M-320X405	320	12.598	15.945	4.882	5.354	6.142	264,198	503,297	28,038	22,153	27.336	20	M20 x 110	509
C415M-340X425	340	13.386	16.732	4.882	5.354	6.142	280,710	503,297	26,388	21,111	27.835	20	M20 x 110	509
C415M-360X455	360	14.173	17.913	5.512	6.299	7.165	368,134	623,373	24,695	19,539	28.520	20	M22 x 130	686
C415M-380X475	380	14.961	18.701	5.512	6.299	7.165	388,585	623,373	23,395	18,716	29.116	20	M22 x 130	686
C415M-400X495	400	15.748	19.488	5.512	6.299	7.165	449,941	685,710	24,448	19,756	31.212	22	M22 x 130	686

All dimensions are shown in inches unless stated otherwise. All dimensions and capacities are subject to change without notice.

* Minimum hub outside diameter based on a Pressure Reduction Factor of C=1.0 and hub material with tensile yield point ≥ 45,000 psi. For details refer to page 8.