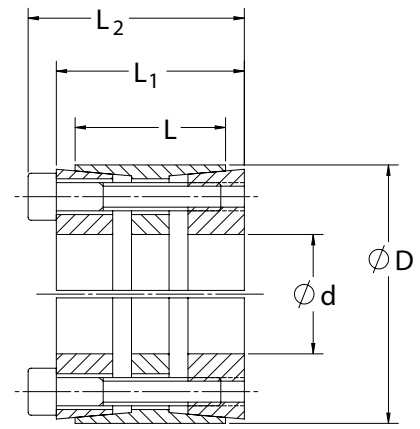




## SERIES C405 LOCKING ASSEMBLY

- Heavy duty
- Wider design transmits higher torque and bending moments
- Excellent concentricity; extremely robust for the most demanding applications

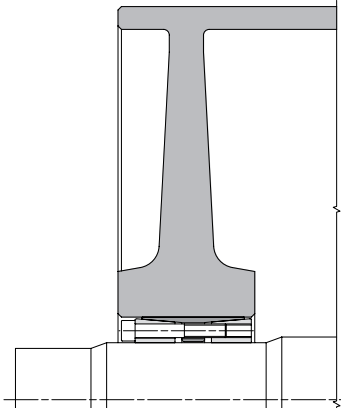


Inch

CLIMAX Part No.	Shaft Size (in)	d	D	L	L <sub>1</sub>	L <sub>2</sub>	M <sub>t</sub> (ft-lbs)	F <sub>ax</sub> (lbs.F)	P <sub>s</sub> (psi)	P <sub>h</sub> (psi)	D <sub>n</sub> *	Locking Screws		
												Qty.	Size	M <sub>a</sub> (ft-lbs)
C405E-100	1	1.000	2.165	1.260	1.575	1.811	626	15,036	42,210	19,493	3.443	6	M6 x 35	13
C405E-112	1 1/8	1.125	2.165	1.260	1.575	1.811	705	15,036	37,520	19,493	3.443	6	M6 x 35	13
C405E-118	1 3/16	1.188	2.165	1.260	1.575	1.811	744	15,036	35,545	19,493	3.443	6	M6 x 35	13
C405E-125	1 1/4	1.250	2.362	1.732	2.126	2.362	914	17,542	27,809	14,715	3.317	7	M6 x 45	13
C405E-137	1 3/8	1.375	2.362	1.732	2.126	2.362	1,005	17,542	25,281	14,715	3.317	7	M6 x 45	13
C405E-143	1 7/16	1.438	2.362	1.732	2.126	2.362	1,051	17,542	24,182	14,715	3.317	7	M6 x 45	13
C405E-150	1 1/2	1.500	2.953	1.732	2.126	2.441	2,026	32,411	42,818	21,752	5.003	7	M8 x 45	30
C405E-162	1 5/8	1.625	2.953	1.732	2.126	2.441	2,195	32,411	39,524	21,752	5.003	7	M8 x 45	30
C405E-175	1 3/4	1.750	2.953	1.732	2.126	2.441	2,363	32,411	36,701	21,752	5.003	7	M8 x 45	30
C405E-187	1 7/8	1.875	3.150	2.205	2.598	2.913	2,894	37,041	30,251	18,009	4.812	8	M8 x 55	30
C405E-193	1 15/16	1.938	3.150	2.205	2.598	2.913	2,990	37,041	29,275	18,009	4.812	8	M8 x 55	30
C405E-200	2	2.000	3.150	2.205	2.598	2.913	3,087	37,041	28,360	18,009	4.812	8	M8 x 55	30
C405E-212	2 1/8	2.125	3.346	2.205	2.598	2.913	3,690	41,672	30,028	19,068	5.260	9	M8 x 55	30
C405E-218	2 3/16	2.188	3.346	2.205	2.598	2.913	3,798	41,672	29,170	19,068	5.260	9	M8 x 55	30
C405E-225	2 1/4	2.250	3.543	2.205	2.598	2.913	4,341	46,302	31,511	20,010	5.715	10	M8 x 55	30
C405E-237	2 3/8	2.375	3.543	2.205	2.598	2.913	4,582	46,302	29,853	20,010	5.715	10	M8 x 55	30
C405E-243	2 7/16	2.438	3.740	2.205	2.598	2.913	4,703	46,302	29,087	18,956	5.861	10	M8 x 55	30
C405E-250	2 1/2	2.500	3.740	2.205	2.598	2.913	4,823	46,302	28,360	18,956	5.861	10	M8 x 55	30
C405E-256	2 9/16	2.563	3.740	2.205	2.598	2.913	4,944	46,302	27,668	18,956	5.861	10	M8 x 55	30
C405E-262	2 5/8	2.625	4.331	2.756	3.150	3.543	8,313	76,008	34,837	21,116	7.205	10	M10 x 60	61
C405E-268	2 11/16	2.688	4.331	2.756	3.150	3.543	8,511	76,008	34,027	21,116	7.205	10	M10 x 60	61
C405E-275	2 3/4	2.750	4.331	2.756	3.150	3.543	8,709	76,008	33,254	21,116	7.205	10	M10 x 60	61
C405E-287	2 7/8	2.875	4.331	2.756	3.150	3.543	9,105	76,008	31,808	21,116	7.205	10	M10 x 60	61
C405E-293	2 15/16	2.938	4.724	2.756	3.150	3.543	10,233	83,609	34,244	21,292	7.900	11	M10 x 60	61
C405E-300	3	3.000	4.724	2.756	3.150	3.543	10,451	83,609	33,531	21,292	7.900	11	M10 x 60	61
C405E-312	3 1/8	3.125	4.724	2.756	3.150	3.543	10,887	83,609	32,190	21,292	7.900	11	M10 x 60	61
C405E-325	3 1/4	3.250	4.724	2.756	3.150	3.543	11,322	83,609	30,952	21,292	7.900	11	M10 x 60	61
C405E-337	3 3/8	3.375	5.118	2.756	3.150	3.543	12,826	91,209	32,515	21,441	8.595	12	M10 x 60	61
C405E-343	3 7/16	3.438	5.118	2.756	3.150	3.543	13,064	91,209	31,924	21,441	8.595	12	M10 x 60	61
C405E-350	3 1/2	3.500	5.118	2.756	3.150	3.543	13,301	91,209	31,354	21,441	8.595	12	M10 x 60	61
C405E-362	3 5/8	3.625	5.118	2.756	3.150	3.543	13,776	91,209	30,272	21,441	8.595	12	M10 x 60	61
C405E-375	3 3/4	3.750	5.709	3.543	4.016	4.488	19,510	124,865	32,049	21,053	9.481	11	M12 x 80	107
C405E-387	3 7/8	3.875	5.709	3.543	4.016	4.488	20,161	124,865	31,015	21,053	9.481	11	M12 x 80	107
C405E-393	3 15/16	3.938	5.709	3.543	4.016	4.488	20,486	124,865	30,523	21,053	9.481	11	M12 x 80	107
C405E-400	4	4.000	5.709	3.543	4.016	4.488	20,811	124,865	30,046	21,053	9.481	11	M12 x 80	107
C405E-425	4 1/4	4.250	6.102	3.543	4.016	4.488	24,122	136,217	30,849	21,485	10.261	12	M12 x 80	107
C405E-437	4 3/8	4.375	6.102	3.543	4.016	4.488	24,831	136,217	29,968	21,485	10.261	12	M12 x 80	107
C405E-443	4 7/16	4.438	6.496	3.543	4.016	4.488	29,384	158,920	34,470	23,547	11.612	14	M12 x 80	107
C405E-450	4 1/2	4.500	6.496	3.543	4.016	4.488	29,797	158,920	33,991	23,547	11.612	14	M12 x 80	107
C405E-475	4 3/4	4.750	6.496	3.543	4.016	4.488	31,453	158,920	32,202	23,547	11.612	14	M12 x 80	107
C405E-493	4 15/16	4.938	7.087	4.094	4.567	5.118	37,893	183,216	29,763	20,737	11.665	12	M14 x 90	170
C405E-500	5	5.000	7.087	4.094	4.567	5.118	38,170	183,216	29,391	20,737	11.665	12	M14 x 90	170
C405E-525	5 1/4	5.250	7.480	4.094	4.567	5.118	46,758	213,751	32,657	22,920	13.120	14	M14 x 90	170
C405E-543	5 7/16	5.438	7.480	4.094	4.567	5.118	48,428	213,751	31,531	22,920	13.120	14	M14 x 90	170
C405E-550	5 1/2	5.500	7.480	4.094	4.567	5.118	48,985	213,751	31,172	22,920	13.120	14	M14 x 90	170
C405E-575	5 3/4	5.750	7.874	4.094	4.567	5.118	54,869	229,019	31,947	23,329	13.982	15	M14 x 90	170
C405E-593	5 15/16	5.938	7.874	4.094	4.567	5.118	56,658	229,019	30,938	23,329	13.982	15	M14 x 90	170
C405E-600	6	6.000	8.268	4.094	4.567	5.118	61,072	244,287	32,657	23,699	14.848	16	M14 x 90	170
C405E-643	6 7/16	6.438	8.858	5.276	5.866	6.496	79,146	295,070	28,075	20,403	14.444	14	M16 x 110	262
C405E-650	6 1/2	6.500	8.858	5.276	5.866	6.496	79,915	295,070	27,805	20,403	14.444	14	M16 x 110	262
C405E-693	6 15/16	6.938	9.252	5.276	5.866	6.496	91,386	316,146	27,912	20,930	15.312	15	M16 x 110	262
C405E-700	7	7.000	9.252	5.276	5.866	6.496	92,209	316,146	27,663	20,930	15.312	15	M16 x 110	262
C405E-725	7 1/4	7.250	9.843	5.276	5.866	6.496	101,869	337,223	28,490	20,986	16.315	16	M16 x 110	262
C405E-743	7 7/16	7.438	9.843	5.276	5.866	6.496	104,504	337,223	27,772	20,986	16.315	16	M16 x 110	262
C405E-750	7 1/2	7.500	9.843	5.276	5.866	6.496	105,382	337,223	27,540	20,986	16.315	16	M16 x 110	262
C405E-775	7 3/4	7.750	10.236	5.276	5.866	6.496	108,895	337,223	26,652	20,178	16.587	16	M16 x 110	262
C405E-793	7 15/16	7.938	10.236	5.276	5.866	6.496	111,529	337,223	26,022	20,178	16.587	16	M16 x 110	262
C405E-800	8	8.000	10.236	5.276	5.866	6.496	112,408	337,223	25,819	20,178	16.587	16	M16 x 110	262

All dimensions are shown in inches unless stated otherwise. All dimensions and capacities are subject to change without notice.

\* Minimum hub outside diameter based on a Pressure Reduction Factor of C=1.0 and hub material with tensile yield point ≥ 45,000 psi. For details refer to page 8.



## SERIES C405 LOCKING ASSEMBLY

CLIMAX Series C405 transmits continuous reversing bending as well as torque in highly loaded belt conveyor head pulleys. CLIMAX and MAV together have decades of experience designing, specifying and manufacturing KLDs for the most demanding applications.



### Metric

CLIMAX Part No.	Shaft Size (mm)		D	L	L <sub>1</sub>	L <sub>2</sub>	M <sub>t</sub> (ft-lbs)	F <sub>ax</sub> (lbs.F)	P <sub>s</sub> (psi)	P <sub>h</sub> (psi)	D <sub>n</sub> *	Locking Screws		
	d	D										Qty.	Size	M <sub>a</sub> (ft-lbs)
C405M-24X55	24	0.945	2.165	1.260	1.575	1.811	592	15,036	67,008	29,240	4.700	6	M6 x 35	13
C405M-25X55	25	0.984	2.165	1.260	1.575	1.811	617	15,036	42,885	19,493	3.443	6	M6 x 35	13
C405M-28X55	28	1.102	2.165	1.260	1.575	1.811	691	15,036	38,290	19,493	3.443	6	M6 x 35	13
C405M-30X55	30	1.181	2.165	1.260	1.575	1.811	740	15,036	35,738	19,493	3.443	6	M6 x 35	13
C405M-32X60	32	1.260	2.362	1.732	2.126	2.362	921	17,542	27,592	14,715	3.317	7	M6 x 45	13
C405M-35X60	35	1.378	2.362	1.732	2.126	2.362	1,007	17,542	25,227	14,715	3.317	7	M6 x 45	13
C405M-38X75	38	1.496	2.953	1.732	2.126	2.441	2,020	32,411	42,931	21,752	5.003	7	M8 x 45	30
C405M-40X75	40	1.575	2.953	1.732	2.126	2.441	2,127	32,411	40,784	21,752	5.003	7	M8 x 45	30
C405M-42X75	42	1.654	2.953	1.732	2.126	2.441	2,233	32,411	38,842	21,752	5.003	7	M8 x 45	30
C405M-45X75	45	1.772	2.953	1.732	2.126	2.441	2,393	32,411	36,253	21,752	5.003	7	M8 x 45	30
C405M-48X80	48	1.890	3.150	2.205	2.598	2.913	2,917	37,041	30,014	18,009	4.812	8	M8 x 55	30
C405M-50X80	50	1.969	3.150	2.205	2.598	2.913	3,038	37,041	28,814	18,009	4.812	8	M8 x 55	30
C405M-55X85	55	2.165	3.346	2.205	2.598	2.913	3,760	41,672	29,469	19,068	5.260	9	M8 x 55	30
C405M-60X90	60	2.362	3.543	2.205	2.598	2.913	4,557	46,302	30,014	20,010	5.715	10	M8 x 55	30
C405M-65X95	65	2.559	3.740	2.205	2.598	2.913	4,937	46,302	27,706	18,956	5.861	10	M8 x 55	30
C405M-70X110	70	2.756	4.331	2.756	3.150	3.543	8,728	76,008	33,182	21,116	7.205	10	M10 x 60	61
C405M-80X120	80	3.150	4.724	2.756	3.150	3.543	10,972	83,609	31,938	21,292	7.900	11	M10 x 60	61
C405M-90X130	90	3.543	5.118	2.756	3.150	3.543	13,466	91,209	30,970	21,441	8.595	12	M10 x 60	61
C405M-100X145	100	3.937	5.709	3.543	4.016	4.488	20,483	124,865	30,527	21,053	9.481	11	M12 x 80	107
C405M-110X155	110	4.331	6.102	3.543	4.016	4.488	24,580	136,217	30,274	21,485	10.261	12	M12 x 80	107
C405M-120X165	120	4.724	6.496	3.543	4.016	4.488	31,283	158,920	32,377	23,547	11.612	14	M12 x 80	107
C405M-130X180	130	5.118	7.087	4.094	4.567	5.118	39,072	183,216	28,713	20,737	11.665	12	M14 x 90	170
C405M-140X190	140	5.512	7.480	4.094	4.567	5.118	49,090	213,751	31,106	22,920	13.120	14	M14 x 90	170
C405M-150X200	150	5.906	7.874	4.094	4.567	5.118	56,353	229,019	31,106	23,329	13.982	15	M14 x 90	170
C405M-160X210	160	6.299	8.268	4.094	4.567	5.118	64,117	244,287	31,106	23,699	14.848	16	M14 x 90	170
C405M-170X225	170	6.693	8.858	5.276	5.866	6.496	82,287	295,070	27,003	20,403	14.444	14	M16 x 110	262
C405M-180X235	180	7.087	9.252	5.276	5.866	6.496	93,350	316,146	27,325	20,930	15.312	15	M16 x 110	262
C405M-190X250	190	7.480	9.843	5.276	5.866	6.496	105,106	337,223	27,613	20,986	16.315	16	M16 x 110	262
C405M-200X260	200	7.874	10.236	5.276	5.866	6.496	110,637	337,223	26,232	20,178	16.587	16	M16 x 110	262
C405M-220X285	220	8.661	11.220	5.276	5.906	6.535	136,914	379,376	26,828	20,709	18.455	18	M16 x 110	262
C405M-240X305	240	9.449	12.008	5.276	5.906	6.535	165,956	421,529	27,325	21,502	20.201	20	M16 x 110	262
C405M-260X325	260	10.236	12.795	5.276	5.906	6.535	188,775	442,605	26,484	21,187	21.332	21	M16 x 110	262
C405M-280X355	280	11.024	13.976	6.496	6.969	7.756	270,299	588,480	27,248	21,491	23.505	18	M20 x 130	509
C405M-300X375	300	11.811	14.764	6.496	6.969	7.756	321,785	653,867	28,257	22,606	25.652	20	M20 x 130	509
C405M-320X405	320	12.598	15.945	6.496	6.969	7.756	360,399	686,560	27,816	21,978	27.197	21	M20 x 130	509
C405M-340X425	340	13.386	16.732	6.496	6.969	7.756	401,159	719,254	27,426	21,941	28.509	22	M20 x 130	509
C405M-360X455	360	14.173	17.913	7.480	7.992	8.858	502,181	850,359	26,595	21,042	29.741	21	M22 x 150	686
C405M-380X475	380	14.961	18.701	7.480	7.992	8.858	555,321	890,852	26,395	21,116	31.114	22	M22 x 150	686
C405M-400X495	400	15.748	19.488	7.480	7.992	8.858	637,690	971,839	27,354	22,105	33.364	24	M22 x 150	686

All dimensions are shown in inches unless stated otherwise. All dimensions and capacities are subject to change without notice.

\* Minimum hub outside diameter based on a Pressure Reduction Factor of C=1.0 and hub material with tensile yield point ≥ 45,000 psi. For details refer to page 8.