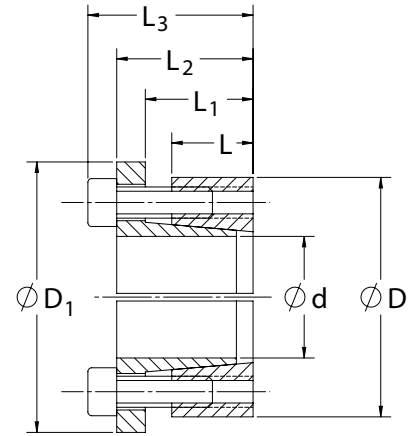




SERIES C133 LOCKING ASSEMBLY

- Single taper design with flange
- Excellent concentricity
- No axial movement of mounted component during installation

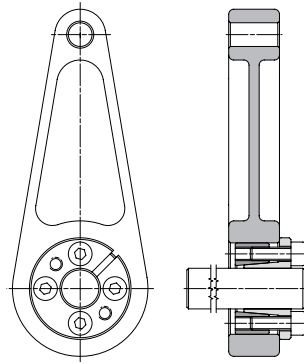


Inch

CLIMAX Part No.	Shaft Size (in)	d	D	D ₁	L	L ₁	L ₂	L ₃	M _t (ft-lbs)	F _{ax} (lbs.F)	P _s (psi)	P _h (psi)	D _n *	Locking Screws		
														Qty.	Size	M _a (ft-lbs)
C133E-075	3/4	0.750	1.850	2.047	0.669	0.886	1.122	1.358	196	6,265	33,106	13,418	2.517	5	M6 x 20	13
C133E-087	7/8	0.875	1.850	2.047	0.669	0.886	1.122	1.358	228	6,265	28,376	13,418	2.517	5	M6 x 20	13
C133E-100	1	1.000	1.969	2.224	0.669	0.886	1.122	1.358	313	7,518	29,795	15,136	2.793	6	M6 x 20	13
C133E-112	1 1/8	1.125	2.165	2.421	0.669	0.886	1.122	1.358	352	7,518	26,485	13,760	2.970	6	M6 x 20	13
C133E-118	1 3/16	1.188	2.165	2.421	0.669	0.886	1.122	1.358	372	7,518	25,091	13,760	2.970	6	M6 x 20	13
C133E-125	1 1/4	1.250	2.362	2.618	0.669	0.886	1.122	1.358	522	10,024	31,781	16,818	3.499	8	M6 x 20	13
C133E-137	1 3/8	1.375	2.362	2.618	0.669	0.886	1.122	1.358	574	10,024	28,892	16,818	3.499	8	M6 x 20	13
C133E-143	1 7/16	1.438	2.559	2.815	0.669	0.886	1.122	1.358	600	10,024	27,636	15,524	3.667	8	M6 x 20	13
C133E-150	1 1/2	1.500	2.559	2.815	0.669	0.886	1.122	1.358	626	10,024	26,485	15,524	3.667	8	M6 x 20	13
C133E-162	1 5/8	1.625	2.953	3.287	0.787	1.043	1.358	1.673	1,097	16,206	33,596	18,489	4.569	7	M8 x 25	30
C133E-168	1 11/16	1.688	2.953	3.287	0.787	1.043	1.358	1.673	1,139	16,206	32,351	18,489	4.569	7	M8 x 25	30
C133E-175	1 3/4	1.750	2.953	3.287	0.787	1.043	1.358	1.673	1,182	16,206	31,196	18,489	4.569	7	M8 x 25	30
C133E-187	1 7/8	1.875	3.150	3.484	0.787	1.043	1.358	1.673	1,266	16,206	29,116	17,333	4.728	7	M8 x 25	30
C133E-193	1 15/16	1.938	3.150	3.484	0.787	1.043	1.358	1.673	1,308	16,206	28,177	17,333	4.728	7	M8 x 25	30
C133E-200	2	2.000	3.150	3.484	0.787	1.043	1.358	1.673	1,350	16,206	27,297	17,333	4.728	7	M8 x 25	30
C133E-212	2 1/8	2.125	3.346	3.681	0.787	1.043	1.358	1.673	1,640	18,521	29,361	18,644	5.200	8	M8 x 25	30
C133E-218	2 3/16	2.188	3.346	3.681	0.787	1.043	1.358	1.673	1,688	18,521	28,522	18,644	5.200	8	M8 x 25	30
C133E-225	2 1/4	2.250	3.543	3.858	0.787	1.043	1.358	1.673	1,736	18,521	27,730	17,608	5.357	8	M8 x 25	30
C133E-237	2 3/8	2.375	3.543	3.858	0.787	1.043	1.358	1.673	1,833	18,521	26,270	17,608	5.357	8	M8 x 25	30
C133E-243	2 7/16	2.438	3.740	4.016	0.787	1.043	1.358	1.673	2,116	20,836	28,796	18,767	5.831	9	M8 x 25	30
C133E-250	2 1/2	2.500	3.740	4.016	0.787	1.043	1.358	1.673	2,170	20,836	28,076	18,767	5.831	9	M8 x 25	30
C133E-256	2 9/16	2.563	3.740	4.016	0.787	1.043	1.358	1.673	2,225	20,836	27,392	18,767	5.831	9	M8 x 25	30
C133E-268	2 11/16	2.688	4.331	4.685	0.945	1.201	1.594	1.988	3,405	30,403	31,759	19,708	6.927	8	M10 x 30	61
C133E-275	2 3/4	2.750	4.331	4.685	0.945	1.201	1.594	1.988	3,484	30,403	31,037	19,708	6.927	8	M10 x 30	61
C133E-287	2 7/8	2.875	4.528	4.882	0.945	1.201	1.594	1.988	3,642	30,403	29,687	18,852	7.075	8	M10 x 30	61
C133E-293	2 15/16	2.938	4.528	4.882	0.945	1.201	1.594	1.988	3,721	30,403	29,056	18,852	7.075	8	M10 x 30	61
C133E-300	3	3.000	4.724	5.079	0.945	1.201	1.594	1.988	3,800	30,403	28,450	18,066	7.229	8	M10 x 30	61
C133E-325	3 1/4	3.250	4.921	5.276	0.945	1.201	1.594	1.988	4,632	34,204	29,545	19,511	7.829	9	M10 x 30	61
C133E-337	3 3/8	3.375	4.921	5.276	0.945	1.201	1.594	1.988	4,810	34,204	28,450	19,511	7.829	9	M10 x 30	61
C133E-343	3 7/16	3.438	5.118	5.472	0.945	1.201	1.594	1.988	4,899	34,204	27,933	18,761	7.978	9	M10 x 30	61
C133E-350	3 1/2	3.500	5.118	5.472	0.945	1.201	1.594	1.988	4,988	34,204	27,434	18,761	7.978	9	M10 x 30	61
C133E-375	3 3/4	3.750	5.315	5.669	0.945	1.201	1.594	1.988	5,938	38,004	28,450	20,073	8.588	10	M10 x 30	61
C133E-393	3 15/16	3.938	5.709	6.063	1.024	1.299	1.772	2.244	7,449	45,406	29,883	20,611	9.363	8	M12 x 35	107
C133E-400	4	4.000	5.709	6.063	1.024	1.299	1.772	2.244	7,568	45,406	29,416	20,611	9.363	8	M12 x 35	107
C133E-443	4 7/16	4.438	6.102	6.457	1.024	1.299	1.772	2.244	8,395	45,406	26,516	19,281	9.648	8	M12 x 35	107
C133E-475	4 3/4	4.750	6.496	6.850	1.024	1.299	1.772	2.244	10,110	51,081	27,867	20,377	10.585	9	M12 x 35	107
C133E-493	4 15/16	4.938	7.087	7.441	1.339	1.614	2.165	2.717	14,135	68,706	27,575	19,212	11.183	9	M14 x 40	170
C133E-500	5	5.000	7.087	7.441	1.339	1.614	2.165	2.717	14,314	68,706	27,230	19,212	11.183	9	M14 x 40	170
C133E-543	5 7/16	5.438	7.480	7.835	1.339	1.614	2.165	2.717	15,566	68,706	25,039	18,201	11.487	9	M14 x 40	170
C133E-593	5 15/16	5.938	7.874	8.228	1.339	1.614	2.165	2.717	18,886	76,340	25,478	19,212	12.425	10	M14 x 40	170
C133E-643	6 7/16	6.438	8.858	9.213	1.732	2.008	2.559	3.110	24,572	91,608	21,790	15,836	12.794	12	M14 x 40	170
C133E-693	6 15/16	6.938	9.252	9.606	1.732	2.008	2.559	3.110	26,480	91,608	20,220	15,162	13.137	12	M14 x 40	170
C133E-700	7	7.000	9.252	9.606	1.732	2.008	2.559	3.110	26,719	91,608	20,039	15,162	13.137	12	M14 x 40	170
C133E-743	7 7/16	7.438	9.843	10.197	1.732	2.008	2.559	3.110	35,486	114,510	23,576	17,815	14.961	15	M14 x 40	170
C133E-793	7 15/16	7.938	10.236	10.591	1.732	2.008	2.559	3.110	37,872	114,510	22,091	17,130	15.283	15	M14 x 40	170
C133E-800	8	8.000	10.236	10.591	1.732	2.008	2.559	3.110	38,170	114,510	21,918	17,130	15.283	15	M14 x 40	170

All dimensions are shown in inches unless stated otherwise. All dimensions and capacities are subject to change without notice.

* Minimum hub outside diameter based on a Pressure Reduction Factor of C=1.0 and hub material with tensile yield point ≥ 45,000 psi. For details refer to page 8.



Our Series C133 can be supplied with an integrated Spacer Ring – sold separately – for applications with very narrow drive elements, such as the A-plate sprocket shown.

SERIES C133 LOCKING ASSEMBLY

CLIMAX Series C133 connects a lever arm onto plain shafting. KLDs provide infinite radial and axial positioning capabilities for component timing, belt or chain alignment, setting gear tooth backlash, etc.

Metric

CLIMAX Part No.	Shaft Size (mm)	d	D	D ₁	L	L ₁	L ₂	L ₃	M _t (ft.-lbs)	Fax (lbs.F)	P _s (psi)	P _h (psi)	D _n *	Locking Screws		
														Qty.	Size	M _a (ft.-lbs)
C133M-14X28	14	0.551	1.102	1.260	0.551	0.669	0.807	0.965	50	2,191	19,127	9,564	1.368	4	M4 x 12	3.7
C133M-15X28	15	0.591	1.102	1.260	0.551	0.669	0.807	0.965	54	2,191	17,852	9,564	1.368	4	M4 x 12	3.7
C133M-16X32	16	0.630	1.260	1.457	0.551	0.709	0.846	1.004	57	2,191	16,736	8,368	1.521	4	M4 x 12	3.7
C133M-18X47	18	0.709	1.850	2.047	0.669	0.886	1.122	1.358	185	6,265	35,037	13,418	2.517	5	M6 x 20	13
C133M-19X47	19	0.748	1.850	2.047	0.669	0.886	1.122	1.358	195	6,265	33,193	13,418	2.517	5	M6 x 20	13
C133M-20X47	20	0.787	1.850	2.047	0.669	0.886	1.122	1.358	206	6,265	31,533	13,418	2.517	5	M6 x 20	13
C133M-22X47	22	0.866	1.850	2.047	0.669	0.886	1.122	1.358	226	6,265	28,667	13,418	2.517	5	M6 x 20	13
C133M-24X50	24	0.945	1.969	2.224	0.669	0.886	1.122	1.358	296	7,518	31,533	15,136	2.793	6	M6 x 20	13
C133M-25X50	25	0.984	1.969	2.224	0.669	0.886	1.122	1.358	308	7,518	30,272	15,136	2.793	6	M6 x 20	13
C133M-28X55	28	1.102	2.165	2.421	0.669	0.886	1.122	1.358	345	7,518	27,028	13,760	2.970	6	M6 x 20	13
C133M-30X55	30	1.181	2.165	2.421	0.669	0.886	1.122	1.358	370	7,518	25,227	13,760	2.970	6	M6 x 20	13
C133M-32X60	32	1.260	2.362	2.618	0.669	0.886	1.122	1.358	526	10,024	31,533	16,818	3.499	8	M6 x 20	13
C133M-35X60	35	1.378	2.362	2.618	0.669	0.886	1.122	1.358	576	10,024	28,830	16,818	3.499	8	M6 x 20	13
C133M-38X65	38	1.496	2.559	2.815	0.669	0.886	1.122	1.358	625	10,024	26,554	15,524	3.667	8	M6 x 20	13
C133M-40X65	40	1.575	2.559	2.815	0.669	0.886	1.122	1.358	658	10,024	25,227	15,524	3.667	8	M6 x 20	13
C133M-42X75	42	1.654	2.953	3.287	0.787	1.043	1.358	1.673	1,117	16,206	33,016	18,489	4.569	7	M8 x 25	30
C133M-45X75	45	1.772	2.953	3.287	0.787	1.043	1.358	1.673	1,196	16,206	30,815	18,489	4.569	7	M8 x 25	30
C133M-48X80	48	1.890	3.150	3.484	0.787	1.043	1.358	1.673	1,276	16,206	28,889	17,333	4.728	7	M8 x 25	30
C133M-50X80	50	1.969	3.150	3.484	0.787	1.043	1.358	1.673	1,329	16,206	27,733	17,333	4.728	7	M8 x 25	30
C133M-55X85	55	2.165	3.346	3.681	0.787	1.043	1.358	1.673	1,671	18,521	28,814	18,644	5.200	8	M8 x 25	30
C133M-60X90	60	2.362	3.543	3.858	0.787	1.043	1.358	1.673	1,823	18,521	26,413	17,608	5.357	8	M8 x 25	30
C133M-65X95	65	2.559	3.740	4.016	0.787	1.043	1.358	1.673	2,222	20,836	27,429	18,767	5.831	9	M8 x 25	30
C133M-70X110	70	2.756	4.331	4.685	0.945	1.201	1.594	1.988	3,491	30,403	30,970	19,708	6.927	8	M10 x 30	61
C133M-75X115	75	2.953	4.528	4.882	0.945	1.201	1.594	1.988	3,741	30,403	28,906	18,852	7.075	8	M10 x 30	61
C133M-80X120	80	3.150	4.724	5.079	0.945	1.201	1.594	1.988	3,990	30,403	27,099	18,066	7.229	8	M10 x 30	61
C133M-85X125	85	3.346	4.921	5.276	0.945	1.201	1.594	1.988	4,769	34,204	28,693	19,511	7.829	9	M10 x 30	61
C133M-90X130	90	3.543	5.118	5.472	0.945	1.201	1.594	1.988	5,050	34,204	27,099	18,761	7.978	9	M10 x 30	61
C133M-95X135	95	3.740	5.315	5.669	0.945	1.201	1.594	1.988	5,923	38,004	28,525	20,073	8.588	10	M10 x 30	61
C133M-100X145	100	3.937	5.709	6.063	1.024	1.299	1.772	2.244	7,448	45,406	29,886	20,611	9.363	8	M12 x 35	107
C133M-110X155	110	4.331	6.102	6.457	1.024	1.299	1.772	2.244	8,193	45,406	27,169	19,281	9.648	8	M12 x 35	107
C133M-120X165	120	4.724	6.496	6.850	1.024	1.299	1.772	2.244	10,055	51,081	28,018	20,377	10.585	9	M12 x 35	107
C133M-130X180	130	5.118	7.087	7.441	1.339	1.614	2.165	2.717	14,652	68,706	26,602	19,212	11.183	9	M14 x 40	170
C133M-140X190	140	5.512	7.480	7.835	1.339	1.614	2.165	2.717	15,779	68,706	24,701	18,201	11.487	9	M14 x 40	170
C133M-150X200	150	5.906	7.874	8.228	1.339	1.614	2.165	2.717	18,784	76,340	25,616	19,212	12.425	10	M14 x 40	170
C133M-160X210	160	6.299	8.268	8.622	1.339	1.614	2.165	2.717	22,040	83,974	26,417	20,127	13.378	11	M14 x 40	170
C133M-170X225	170	6.693	8.858	9.213	1.732	2.008	2.559	3.110	25,547	91,608	20,959	15,836	12.794	12	M14 x 40	170
C133M-180X235	180	7.087	9.252	9.606	1.732	2.008	2.559	3.110	27,050	91,608	19,794	15,162	13.137	12	M14 x 40	170
C133M-190X250	190	7.480	9.843	10.197	1.732	2.008	2.559	3.110	35,690	114,510	23,441	17,815	14.961	15	M14 x 40	170
C133M-200X260	200	7.874	10.236	10.591	1.732	2.008	2.559	3.110	37,569	114,510	22,269	17,130	15.283	15	M14 x 40	170
C133M-220X285	220	8.661	11.220	11.496	1.969	2.244	2.874	3.504	45,638	126,459	19,674	15,187	15.943	12	M16 x 45	262
C133M-240X305	240	9.449	12.008	12.362	1.969	2.244	2.874	3.504	62,234	158,073	22,543	17,739	18.216	15	M16 x 45	262
C133M-260X325	260	10.236	12.795	13.150	1.969	2.244	2.874	3.504	80,904	189,688	24,971	19,977	20.618	18	M16 x 45	262
C133M-280X355	280	11.024	13.976	14.331	2.362	2.638	3.346	4.055	92,692	201,803	20,557	16,214	20.381	16	M18 x 50	358
C133M-300X375	300	11.811	14.764	15.118	2.362	2.638	3.346	4.055	111,726	227,028	21,585	17,268	22.123	18	M18 x 50	358

All dimensions are shown in inches unless stated otherwise. All dimensions and capacities are subject to change without notice.

* Minimum hub outside diameter based on a Pressure Reduction Factor of C=1.0 and hub material with tensile yield point ≥ 45,000 psi. For details refer to page 8.